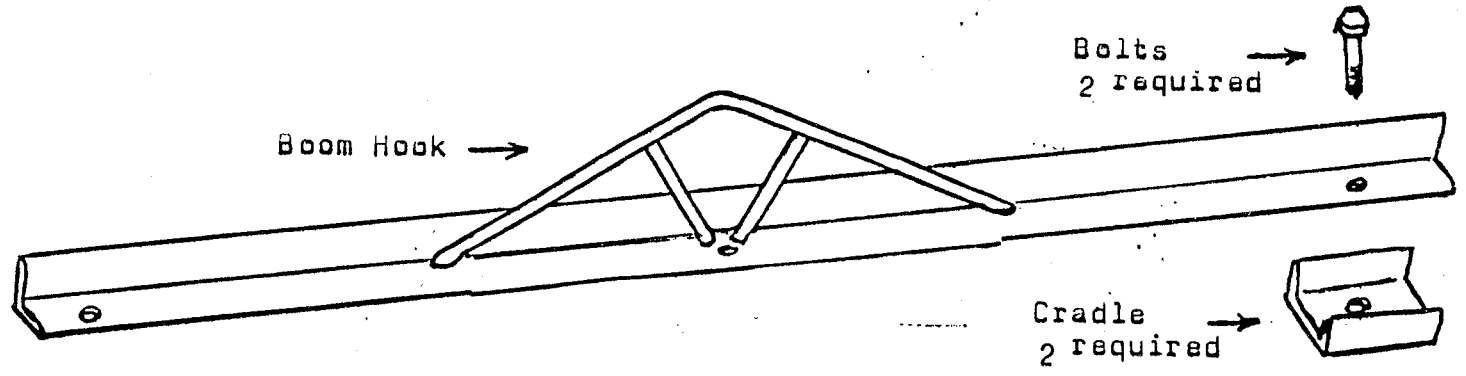




OPTIONAL BOOM HOOK AND STABILIZER BARS

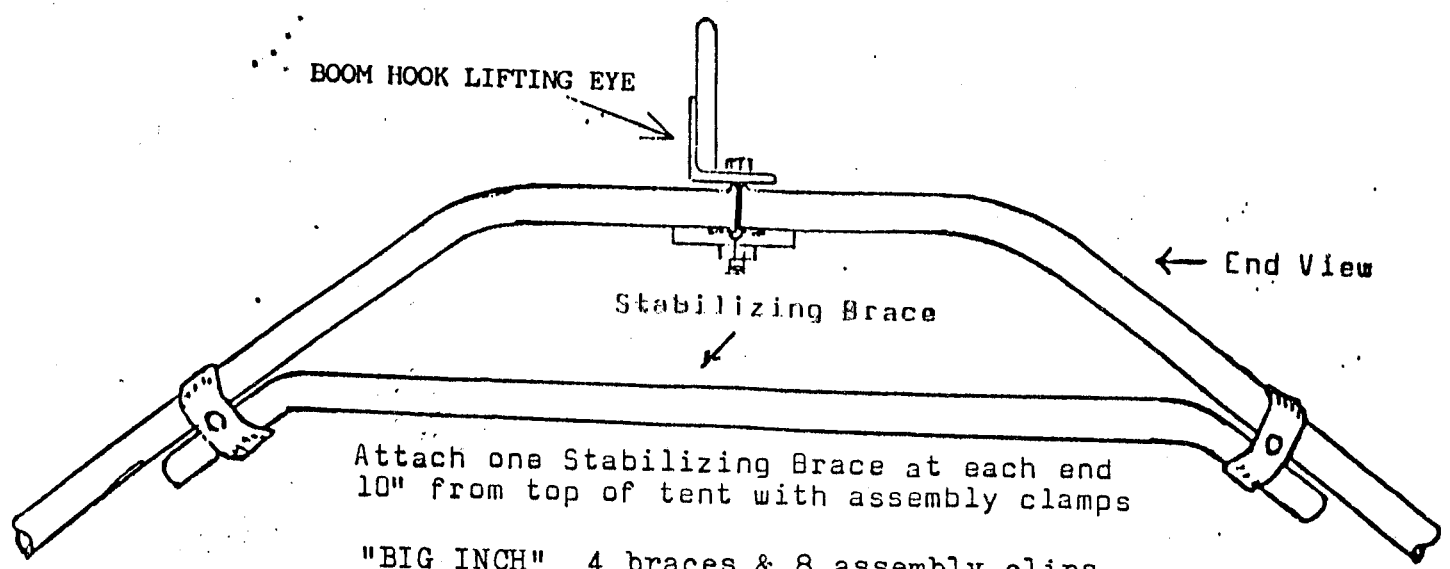
Assembly Instructions for Boom Hook and Stabilizing Braces



Attach Boom Hook:

1. Tip tent up on end
2. Place boom hook on top of tent
3. Place cradles inside of tent in line with bolt holes, and bolt together

Boom may be slid back and forth to center weight when used with one end or two ends.



Attach one Stabilizing Brace at each end 10" from top of tent with assembly clips

"BIG INCH" 4 braces & 8 assembly clips required.

"Giant" 6 braces & 12 assembly clips required.

Place shorter braces on center legs.